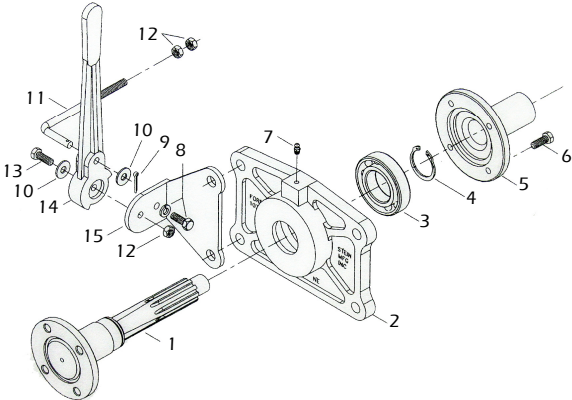


STEIN MANUFACTURING



**GM
Direct Drive PTO Unit
(W41 Drive Flange)**



REF. NO	DESCRIPTION
1	Drive Shaft
2	Bearing Plate
3	Bearing
4	Snap Ring
5	Throwout Bearing Collar
6	5/16 - 18 x 1 Hex Bolt
7	1/4 - 28 Grease Fitting

REF. NO.	DESCRIPTION
8	3/8 - 16 x 1 Hex Bolt
9	1/8 x 3/4 Cotter Pin
10	3/8 Flat Washer
11	3/8 - 16 Threaded Rod
12	3/8 - 16 Hex Nut
13	3/8 - 16 x 1 1/4 Hex Bolt
14	Aluminum Handle
15	Pivot Bracket

GM - Most Chev & GM Engines, Complete Unit - W41 Flange..1050
GM, Complete Unit - W48 Flange.....1050A
GM, Complete Unit - W41 & W48 Flange / Hardened Splines.1051
<i>Parts</i>
Shaft 1 1/8 X 10 Spline (W41 Flange) Pilot End .590.....1351
Shaft 1 1/8 X 10 Spline (W48 Flange) Pilot End .590.....1351A
GM Bearing Plate1352
Clutch Release Handle on Left Side1353
Throwout Bearing Collar, 5 1/8" O.D.1354
Throwout Bearing Collar, 4 11/16 O.D.....1355
6209Z Bearing1329
Throwout Collar Seal1354