

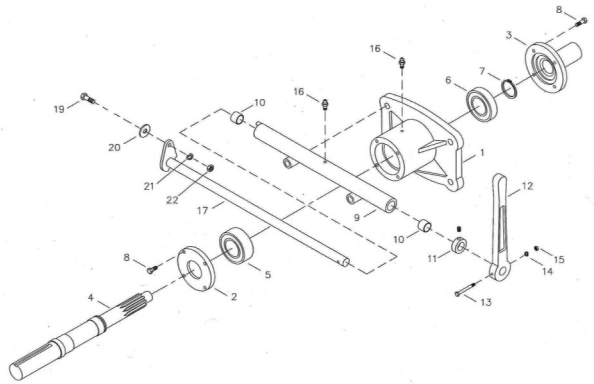
# STEIN MANUFACTURING, INC.

4030 South Wabash Avenue Hastings, NE 68901

Phone 402 - 463 - 8453 • Fax 402 - 463 -1410

www.steinmanufacturing.com

## SIDE LOAD PTO 400 SERIES F1B



- Output Shaft 2 1/4 Dia. X 5/8 keyway 6 3/4" long
- Length from face of bearing retainer cap to back of bearing housing 5 1/4"
- Induction Hardened Splines
- This PTO Unit is 3/16" longer than the F1C PTO
- Maximum 135 HP

Ref No.	Part No.	DESCRIPTION
1	400 - 201	Bearing Housing
2	400 - 202	Bearing Retainer Cap
3	400 - 203	Throw out Bearing Collar
4	400 - 204	Drive Shaft
5	400 - 205	Front Bearing 5211-Z
6	400 - 206	Rear Bearing 6211 - Z
7	400 - 207	Snap Ring
8		5/16-18 x 1 Hex Bolts qty. 8
9	400 - 209	Pivot Shaft Tube
10	400 - 210	7/8" ID x 1" OD x 3/4 Bushing qty. 2
11	400 - 211	7/8" Set Collar
12	400 - 212	Handle
13		1/4-20 x 2 1/2 Hex Bolt
14		1/4 Lock washer
15		1/4-20 Hex Nut
16		1/4-28 Grease Fitting qty. 2
17	400 - 217	Pivot Shaft
--		
19		3/8-24 x 1 1/4 Hex Bolt qty. 3
20		3/8 Flat Washer qty. 3
21		3/8 Lock washer qty. 3
22		3/8-24 Hex Nut qty. 8